

Description

The Delta DSV Venturi Steam Trap is designed for multipurpose applications from line drainage and trace heating, through to small to medium heat exchanger applications. The trap has a primary and secondary integrated strainer and a removable venturi insert. The body of the trap does not have to be removed from the line for maintenance purposes. Access to the insert and both primary and secondary strainers is via the top and bottom caps.

Standards

This product fully complies with the requirements of the European Pressure Equipment Directive 97/23/EC as well as ASME B31.1 and B31.3 and SANS 347:2007.

Certification

Manufacturer's pressure test report and material certification is available with this product. Any additional certification requirements to be stated at time of order.

Sizes and Connections

DN15 (1/2"), DN20 (3/4") Threaded BSP or NPT, Socket Weld

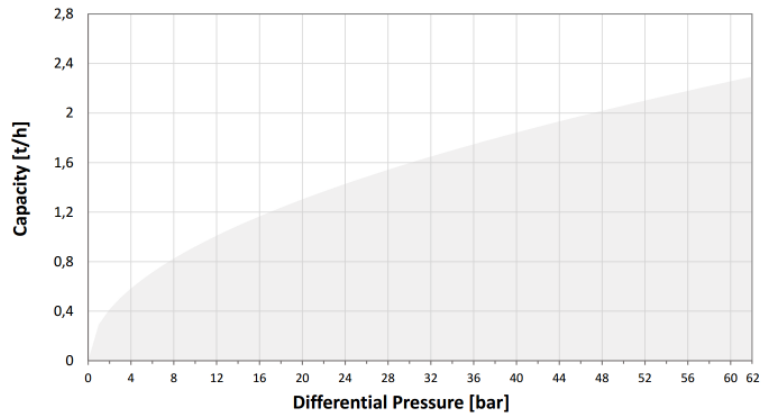
Pressure / Temperature limits

PMA (Maximum Allowable Pressure)	62 bar g	(900 psi g)
TMA (Maximum Allowable Temperature)	450°C	(845°F)
PMO (Maximum Operating Pressure)	62 bar g	(900 psi g)
TMO (Maximum Operating Temperature)	450°C	(845°F)

Guarantee

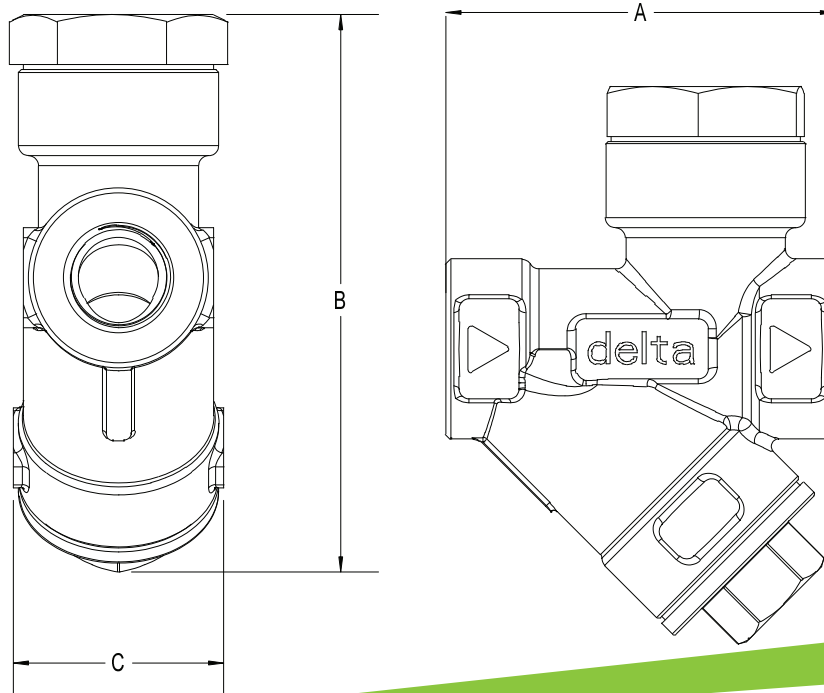
20 year product guarantee as per standard terms and conditions

Discharge Capacity

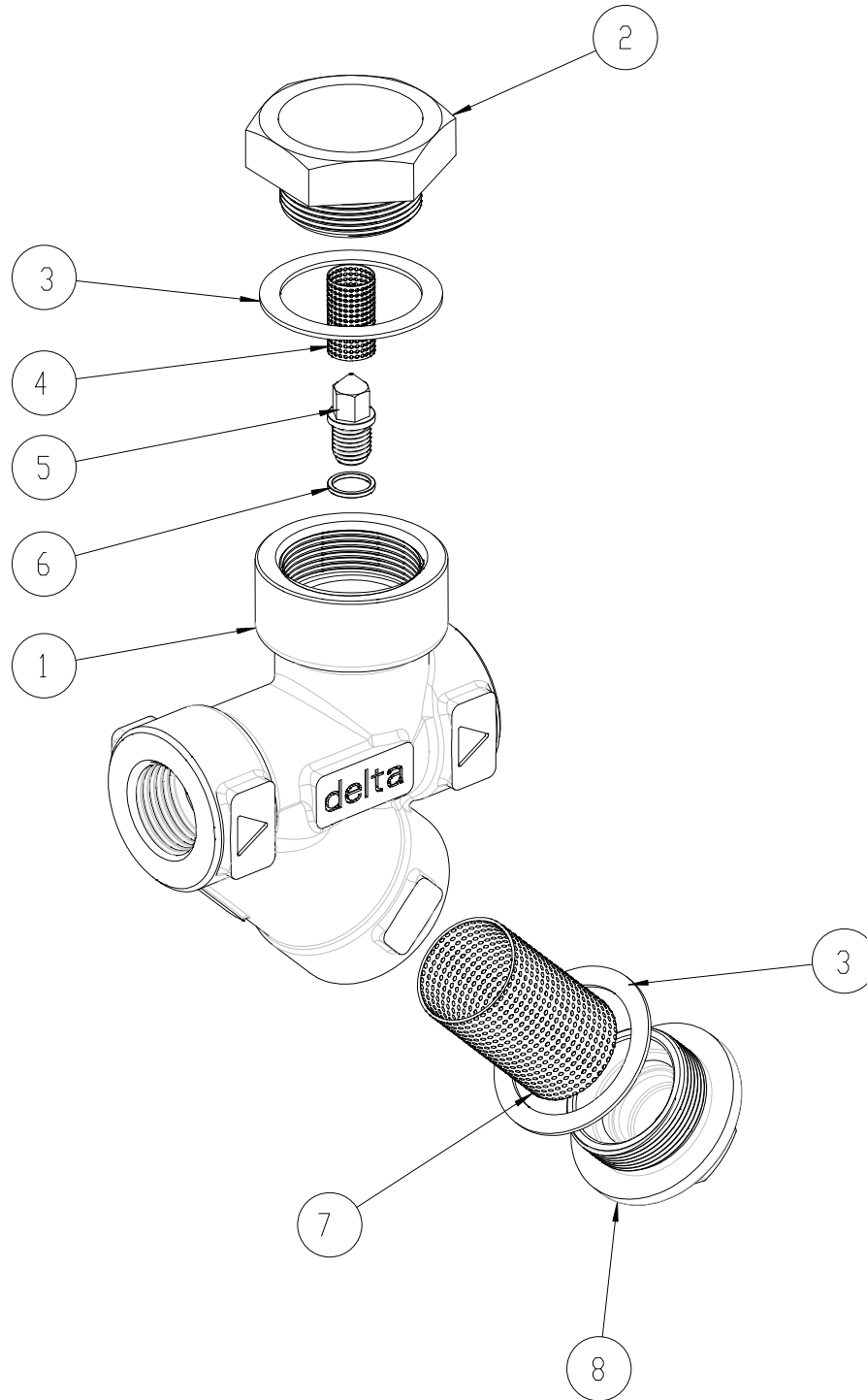


Dimensions and weights

Size	Connection	A	B	C	Weight
DN15 (1/2")	Screwed BSP/NPT/Socket Weld	78mm (3.07")	114mm (4.49")	42mm (1.65")	1 kg (2.2lb)
DN20 (3/4")	Screwed BSP/NPT/Socket Weld	78mm (3.07")	114mm (4.49")	42mm (1.65")	1 kg (2.2lb)



Assembly



No.	Part	Material	No.	Part	Torque Settings
1	Body	ASTM A351 – CF3M	2	Top Cap	80 Nm
2	Top Cap	ASTM A351 – CF3M	5	Removable Orifice Insert	10 Nm
3	Gasket	Graphite	8	Bottom Cap	80 Nm
4	Secondary Strainer	316 Stainless Steel			
5	Removable Venturi Insert	303 Stainless Steel			
6	Venturi Insert Gasket	Graphite			
7	Primary Strainer	316 Stainless Steel			
8	Bottom Cap	ASTM A351 – CF3M			

T: +27 21 948 9677

E: info@deltasteamsystems.com

W: www.deltasteamsystems.com