

### Description

The Delta DSV Venturi Steam Trap is designed for multipurpose applications from line drainage and trace heating, through to small to medium heat exchanger applications. The trap has a primary and secondary integrated strainer and a removable venturi insert. The body of the trap does not have to be removed from the line for maintenance purposes. Access to the insert and both primary and secondary strainers is via the top and bottom caps.

### Certification

Manufacturer's pressure test report and material certification is available with this product. Any additional certification requirements to be stated at time of order.

### Standards

This product fully complies with the requirements of the European Pressure Equipment Directive 97/23/EC as well as ASME B31.1 and B31.3 and SANS 347:2007.

### Sizes and Connections

DN15 (1/2"), DN20 (3/4"), DN25 (1"), DN40 (1 1/2") and DN50 (2")

Flanged BS 4504 and ASME B16.5

Additional flanges available upon request

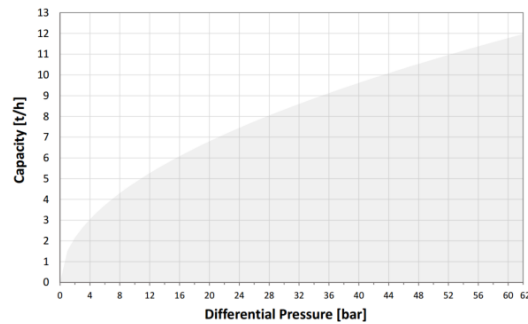
### Pressure / Temperature limits

PMA (Maximum Allowable Pressure)	62 bar g	(900 psi g)
TMA (Maximum Allowable Temperature)	450°C	(845°F)
PMO (Maximum Operating Pressure)	62 bar g	(900 psi g)
TMO (Maximum Operating Temperature)	450°C	(845°F)
Final PMA/TMA dependant on flange specification by customer		

### Guarantee

20 year product guarantee as per standard terms and conditions

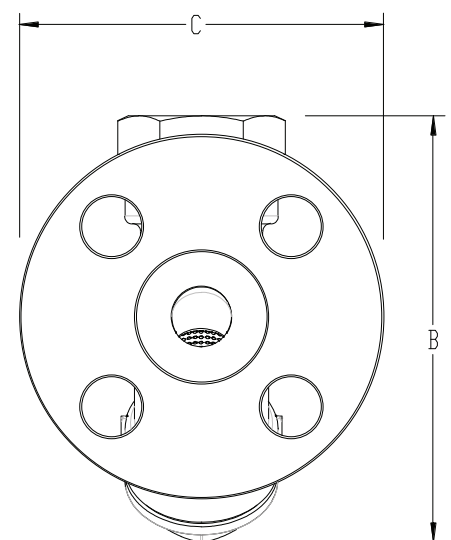
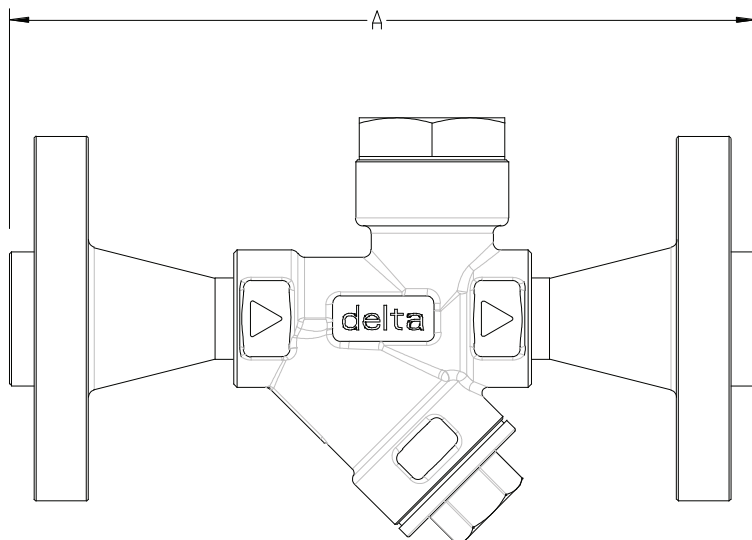
### Discharge Capacity



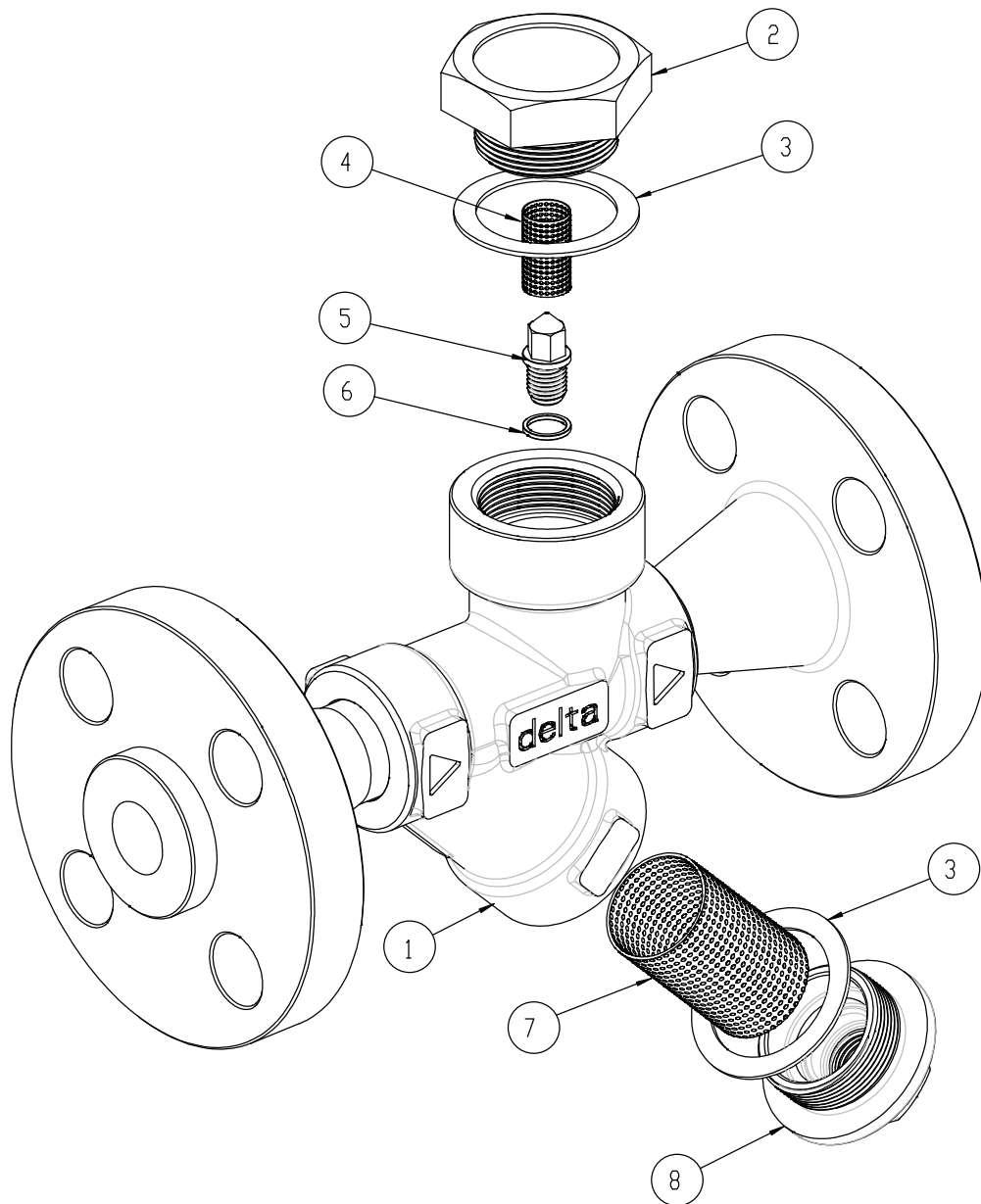
### Dimensions and weights

Size	Connection	A	B	C	Weight
DN15 (1/2")	Flanged	150mm (5.90")*	114mm (4.49")*	90mm (3.54")*	3.3kg (7.3lb)*
DN20 (3/4")	Flanged	165mm (6.50")*	114mm (4.49")*	98mm (3.86")*	3.5kg (7.7lb)*
DN25-50 (1 - 2")	Flanged	200mm (7.87")*	143mm (5.63")*	108mm (4.25")*	5.2 - 8.5kg (11.5 - 18.7lb)*

\*A, B, C and weight dimensions may vary according to customer requirements when selecting different rated flanges



## Assembly



No.	Part	Material	No.	Part	Torque Settings
1	Flanged Body	ASTM A351 – CF3M	2	Top Cap	100 Nm
2	Top Cap	ASTM A351 – CF3M	5	Removable Orifice Insert	10 Nm
3	Top Gasket	Graphite	8	Bottom Cap	100 Nm
4	Secondary Strainer	316 Stainless Steel			
5	Removable Venturi Insert	303 Stainless Steel			
6	Venturi Insert Gasket	Graphite			
7	Primary Strainer	316 Stainless Steel			
8	Bottom Cap	ASTM A351 – CF3M			