

Description

The Delta nHRi Venturi Steam Trap is designed for high-load process applications including heat exchangers, reboilers, air heaters, etc.

The nHRi has a removable insert. A strainer can be fitted upstream of the trap.

Standards

This product fully complies with the requirements of the European Pressure Equipment Directive 97/23/EC as well as ASME B31.1 and B31.3 and SANS 347:2007.

Certification

Manufacturer's pressure test report and material certification is available with this product. Any additional certification requirements to be stated at time of order.

Guarantee

20 year product guarantee as per standard terms and conditions.

Sizes and Connections

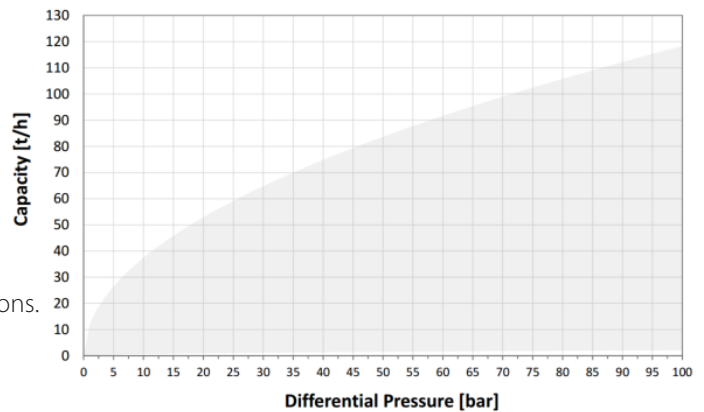
DN25 (1"), DN40 (1½"), DN50 (2")

Flanged DIN/ASME/JIS

Pressure / Temperature limits

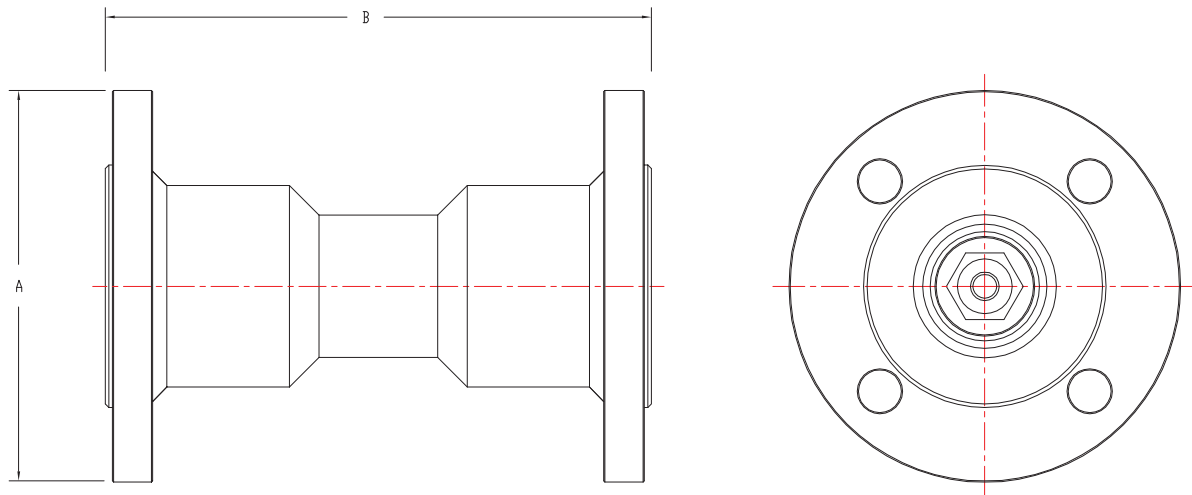
PMA (Maximum Allowable Pressure)	100 bar g (1450 psi g)
TMA (Maximum Allowable Temperature)	538°C (1000°F)
PMO (Maximum Operating Pressure)	100 bar g (1450 psi g)
TMO (Maximum Operating Temperature)	538°C (1000°F)

Discharge Capacity

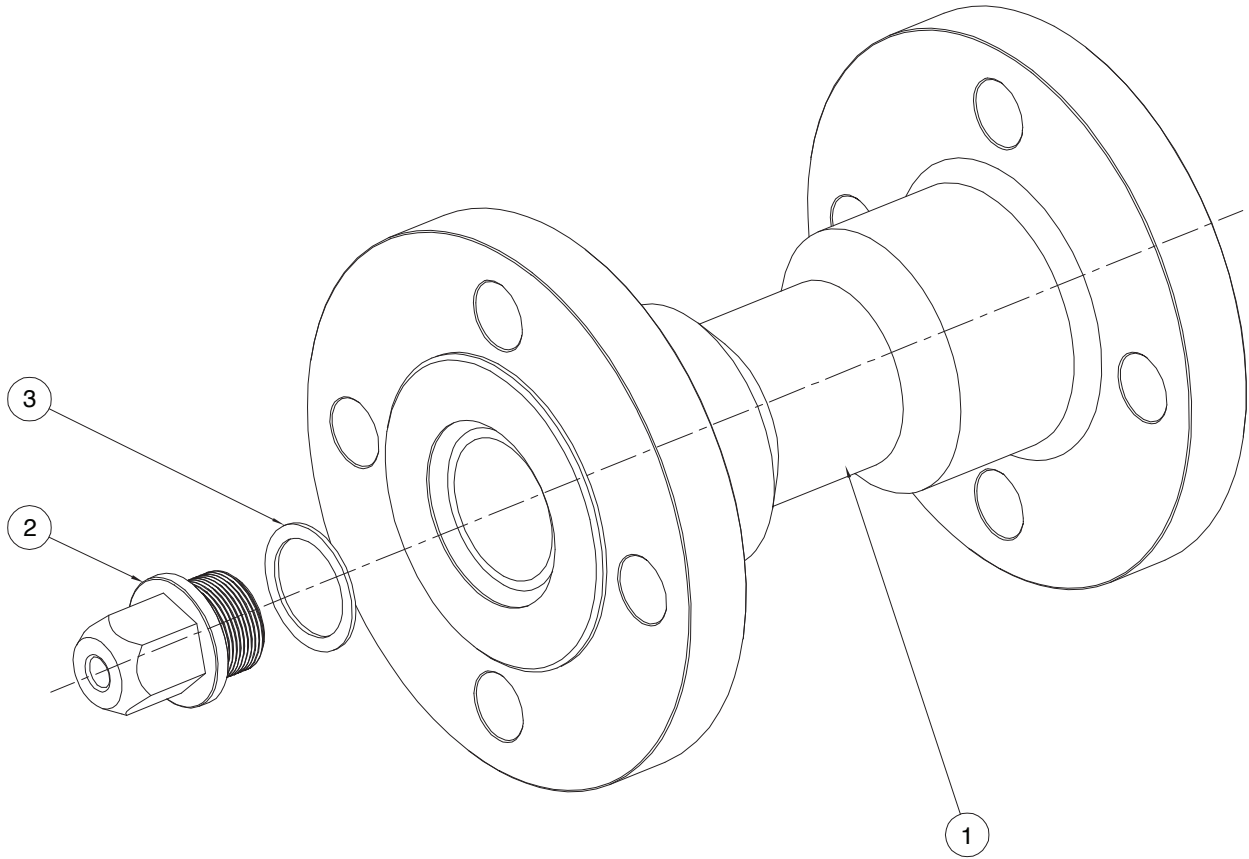


Dimensions and weights

Size	Connection	A	B	Weight
DN25 (1")	Flanged (DIN/ASME/JIS)	115mm (4.52")	160mm (6.30")	4.4kg (9.7lb)
DN40 (1½")	Flanged (DIN/ASME/JIS)	150mm (5.91")	230mm (9.06")	8.6kg (18.9lb)
DN50 (2")	Flanged (DIN/ASME/JIS)	165mm (6.50")	230mm (9.06")	11kg (24.25lb)



Assembly



No.	Part	Material	No.	Part	Torque Settings
1	Flanged Body	ASTM A479 Gr 316L	2	Removable Venturi Insert	40 Nm
2	Removable Venturi Insert	ASTM A479 Gr 316L			
3	Gasket	Graphite			

T: +27 21 948 9677

E: info@deltasteamsystems.com

W: www.deltasteamsystems.com