



Description

The Delta Sci Venturi Steam Trap is designed for medium to large process applications including heat exchangers, reboilers, air heaters, etc.

The Delta Sci has a removable venturi insert. A strainer can be fitted upstream of the trap.

Standards

This product fully complies with the requirements of the European Pressure Equipment Directive 97/23/EC as well as ASME B31.1 and B31.3 and SANS 347:2007.

Certification

Manufacturer's test report is available with this product. Additional certification requirements to be stated at time of order.

Guarantee

20 year product guarantee as per standard terms and conditions.

Sizes and Connections

DN40 (1½") - DN65 (2½") Screwed (BSP/NPT/JIS) & Socket Weld

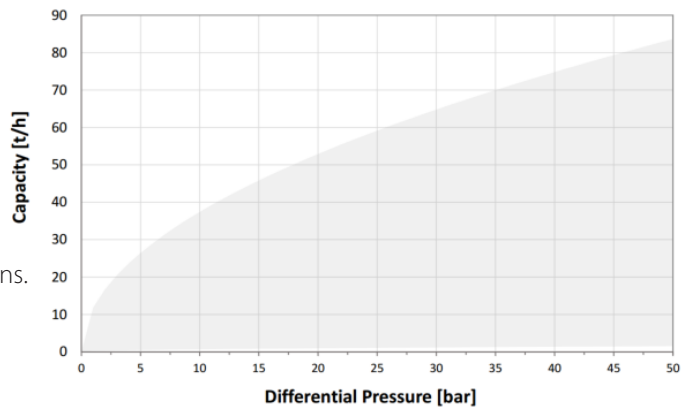
Pressure / Temperature limits

PMA (Maximum Allowable Pressure)	50 bar g	(725psi g)
TMA (Maximum Allowable Temperature)	538°C	(1000°F)
PMO (Maximum Operating Pressure)	50 bar g	(725 psi g)
TMO (Maximum Operating Temperature)	538°C	(1000°F)

Guarantee

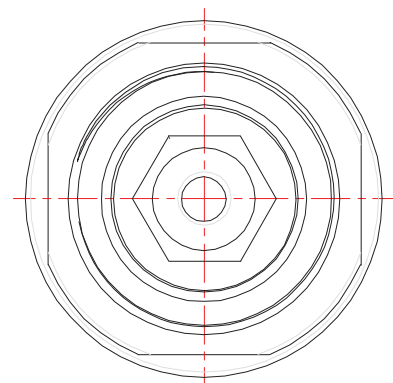
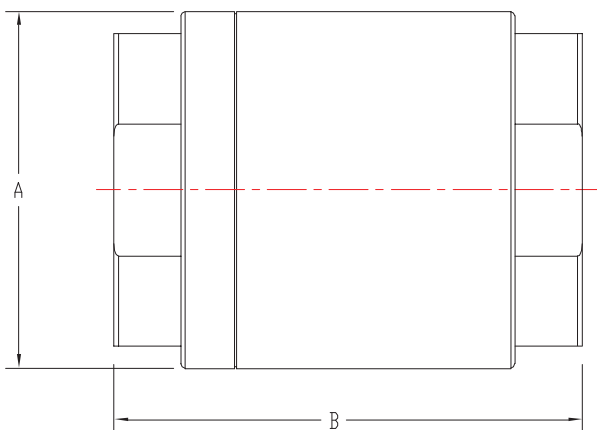
20 year product guarantee as per standard terms and conditions

Discharge Capacity

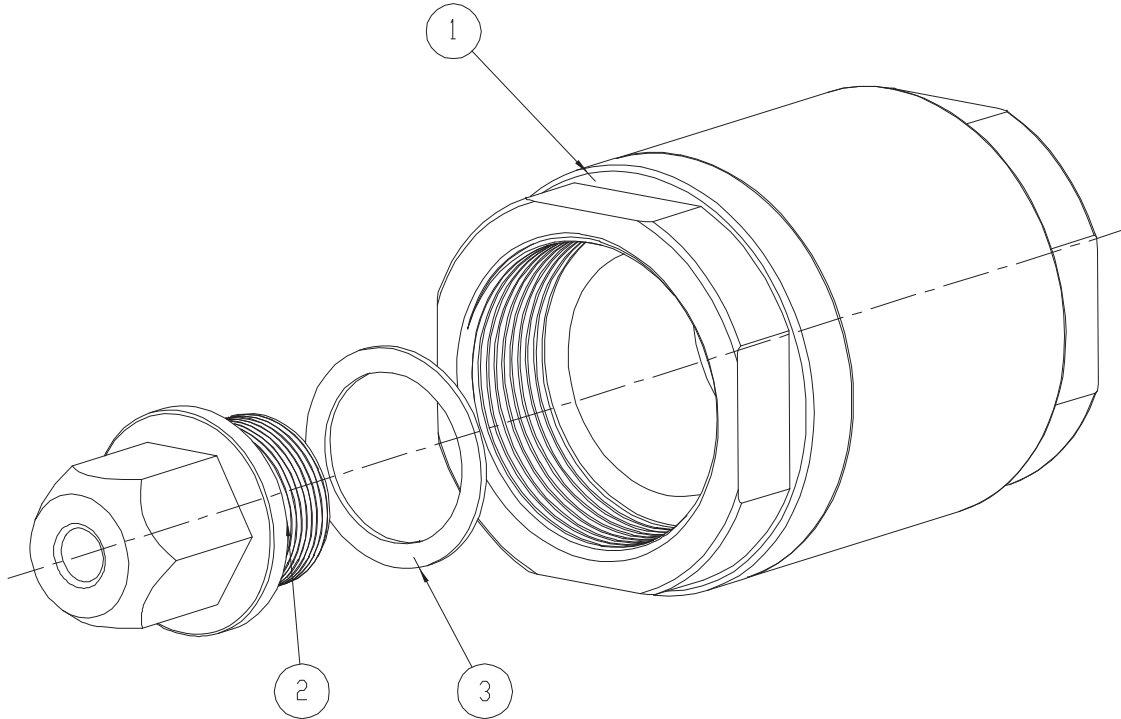


Dimensions and Weights

Size	Connection	A	B	Weight
DN40 (1½")	Screwed BSP/NPT/JIS or Socket Weld	65mm (2.56")	95mm (3.74")	2.4kg (5.29lb)
DN50 (2")	Screwed BSP/NPT/JIS or Socket Weld	90mm (3.54")	105mm (4.13")	3.5kg (7.7lb)
DN65 (2½")	Screwed BSP/NPT/JIS or Socket Weld	100mm (3.94")	105mm (4.13")	4.5kg (9.92lb)



Assembly



No.	Part	Material
1	Body	ASTM A479 Gr 316L
2	Removable Venturi Insert	ASTM A479 Gr 316L
3	Gasket	Graphite

No.	Part	Torque Settings
2	Removable Venturi Insert	40 Nm